

# WGT.10 information

The  
Food  
Show

## Venue:

Westpac Stadium

## Dates:

14 - 16 May 2010

## Show Hours:

Friday and Saturday, 10am - 6pm

Sunday, 10am - 5pm\*

\* Note new closing time on Sunday

## Exhibitor Build-up

Thursday 13 May 8am - 8pm

## Exhibitor Breakdown

Sunday 16 May 5.30pm - 8pm

Monday 17 May 8am - 12noon\*

\* Please note all goods must be cleared from the stadium by midday, Monday 17 May.

## Stand Construction

2.3 metre high velcro receptive panels, **black** colour.

## Serviced Standard Module \$2925 + gst

Includes carpet, panels, lighting (2 x 150 watt spotlights), 1 x 10 amp power point. 3.6m x 3.0m (10.8m<sup>2</sup>)

## Serviced Boutique Module \$2100 + gst

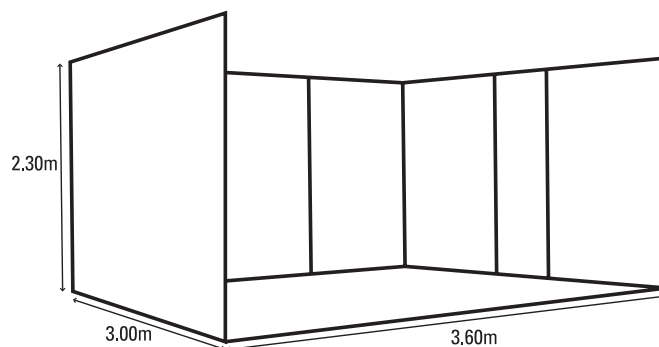
Includes carpet, panels, lighting (2 x 150 watt spotlights), 1 x 10 amp power point. 3.6m x 1.8m (6.48m<sup>2</sup>)

## Unserviced Space \$210 + gst per square metre

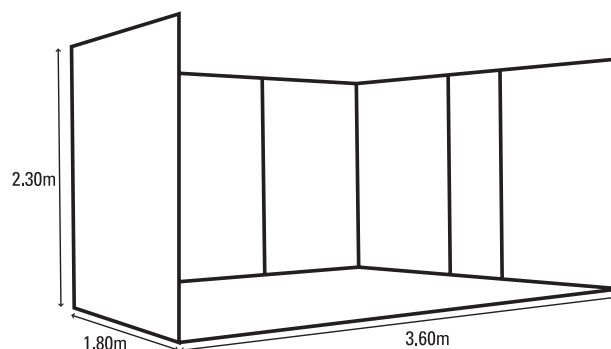
Includes bare floor space only. For companies booking space for 'design and build' stands, with a minimum of 43.2m<sup>2</sup> area.

Please note: no carpet included

**Floor plan on reverse. Subject to change.**



Drawing depicts a Standard Module



Drawing depicts a Boutique Module

## Please note:

1. Panel colour changes can be made at a cost to the exhibitor through Peek Display.
2. There is no fascia structure or company nameplate included in the stand packages, however these can be purchased directly through Peek Display.